



***PLASTIC DRAINAGE SYSTEMS***

STYRON KFT.

[WWW.STYRON.HU](http://WWW.STYRON.HU)



## INSTALLATION PROPOSAL FOR STY-900 AND STY-900-M DRAINAGE CHANNELS

Preparation process:

1. It is required 33-35 cm wide trench approx. 25-30 cm deeply. In this ditch, a concrete base must be made according to the *figure 1*.
2. After this, it is possible to start the laying of the drainage channels, first of all connect the end of the drainage channels with the next drainage channels and connect them with the drain pipe after laying (Figure 2.). In case of vertical drainage, cut the perforated opening and then the vertical pipe (Figure 3).

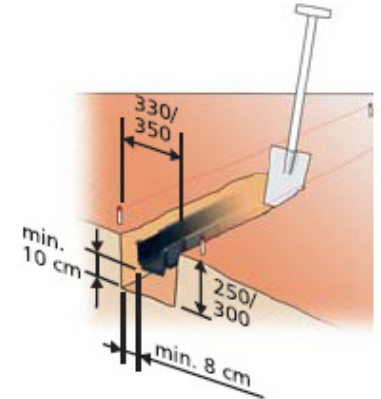
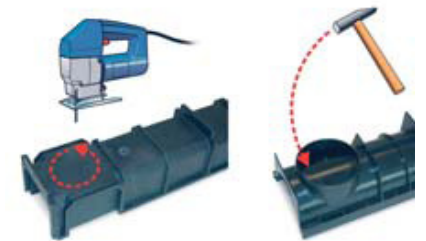
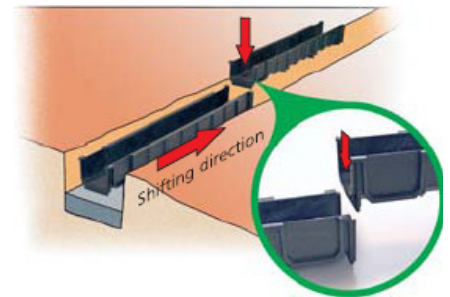


Figure 1.

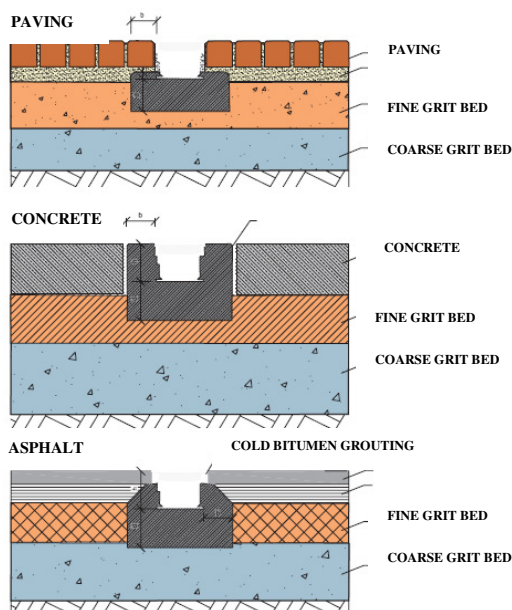
### FIGYELEM!

1. In order to prevent the subsidence of soil of the formed level, we subgrade under the underlayer and that border the drainage channel from two sides on pebbles.
2. IMPORTANT: the surface that is already formed should be 3-5 mm higher than the upper edge of the



3. ábra

### INSTALLATION EXAMPLES FOR THE A-15 CLASS

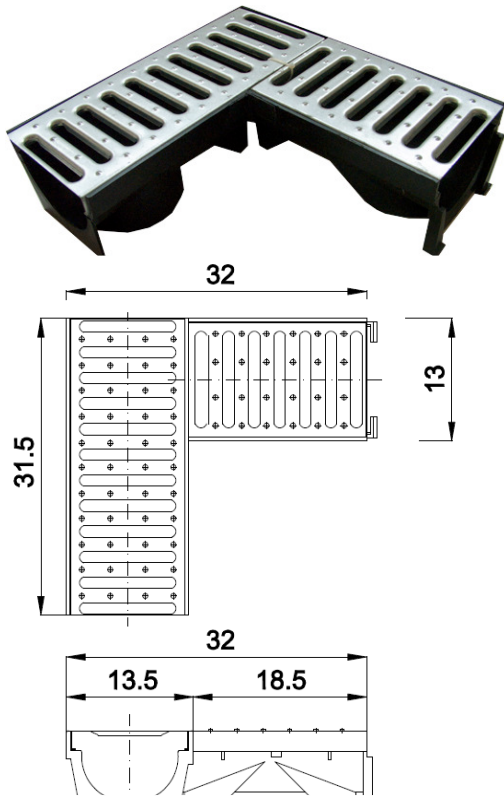


### QUALITY

The quality of the Styron drainage channels is certified according to DIN EN ISO 9001: 2000 and in addition meets the requirements of DIN EN 1433 EURONORM.

For use in pedestrian or passenger car's traffic.. in the case of the latter, a 10 cm concrete bed is required!

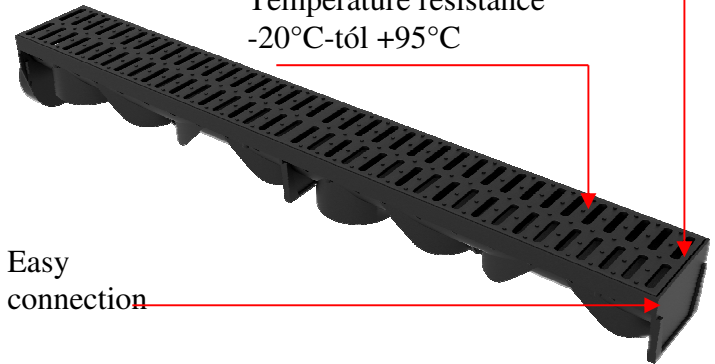
STY-903



STY-900-M

Smooth, nonporous surfaces,  
providing adequate self-cleaning

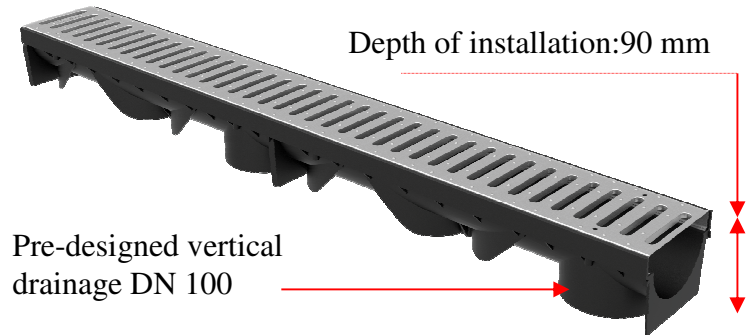
Temperature resistance  
-20°C-tól +95°C



Easy  
connection

STY-900

Depth of installation: 90 mm



Pre-designed vertical  
drainage DN 100

STY-901



End cap elements

STY-902

